

LIGHT AND NIMBLE FOR EVERY STEP.

FOR USERS: 80 - 140 CM, UP TO 40 KG

Pegaz

The Pegaz special needs stroller

Is designed for the children who are unable to walk or sit in a correct position as a result of injuries, diseases or motor dysfunctions.

Starting at just 10 kg, this umbrella-type stroller is easy to carry and simple to fold.

Adjustable backrest, seat, and footrest allow the perfect position for your child's comfort.

With optional narrowing inserts, an abduction wedge, stabilizing belts, and a five-point belts, it ensures safe and supportive walks every time.

A wide range of accessories makes daily life easier and keeps your child comfortable, whatever the weather.

CE  MEDICAL DEVICE - CLASS I

**THIS IS A MEDICAL DEVICE.
USE IT ACCORDING TO THE INSTRUCTIONS FOR USE OR LABEL.**

PRODUCT SPECIFICATIONS

Lightweight construction

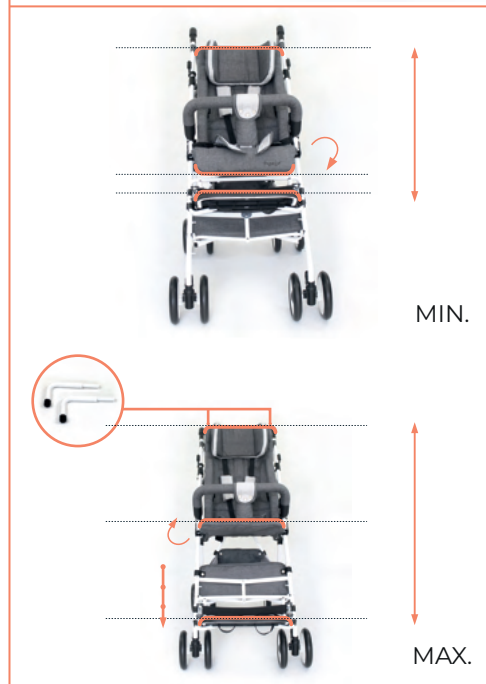
The one-piece, umbrella construction of Pegaz stroller allows for quick and easy folding which due to its compact size and low weight facilitates daily use, storage and transport.



Extensive adjustment



The Pegaz stroller can be easily adjusted to the child's height thanks to the backrest extensions, the curved seat edge, abduction wedge, and the adjustable footrest. As the child grows, these elements can be gradually removed or adjusted, ensuring proper support and user comfort.



Regulations



SEAT ANGLE

25°

1 position



BACKREST ANGLE ADJUSTMENT

22° / 34°

2 positions



FOOTREST HEIGHT ADJUSTMENT

20, 30, 40cm

3 positions

TECHNICAL PARAMETERS

FUNCTIONS

COLOURS



FOR USERS: 90 - 125 CM, UP TO 40 KG

Total weight: **10 - 19,6 kg**
Stroller length: **90 - 108 cm**
Stroller width: **56 cm**
Stroller height: **106 - 130 cm**

Effective seat depth: **25 / 33 cm**
Seat width: **30* / 38 cm**
Backrest height: **50 / 60 cm**
Backrest width: **30* / 37 cm**
Distance between a footrest and seat: **20, 30, 40 cm**
/ 3 positions

* values are given with inserts

Umbrella-type stroller

The construction of the Pegaz is based on a lightweight and compact umbrella-type frame, which allows for quick and simple folding and unfolding. The stroller can be folded without removing the upholstery, which makes everyday use, transport, and storage easier.

Shock-absorbing suspension on all four wheels

The wheels are equipped with a suspension system that effectively reduces vibrations when driving over uneven surfaces. This ensures greater comfort for the child and smoother stroller handling.

Swivel castor lock

The front wheels feature a directional lock, allowing for stable stroller guidance on straight paths and in more demanding terrain.



GREY



RED



BASIC EQUIPMENT



CANOPY WITH WINDOW



HEADREST



INSERTS AND CUSHIONS



ABDUCTION BELTS



FIVE-POINTS BELTS



SAFETY BARRIER



TRAVEL BAG



SHOPPING BASKET



THERAPY TRAY



SUN UMBRELLA



COLORFUL INSERTS



ABDUCTION WEDGE



SLEEPING BAG



RAIN COVER



MOSQUITO NET

ADDITIONAL ACCESSORIES